

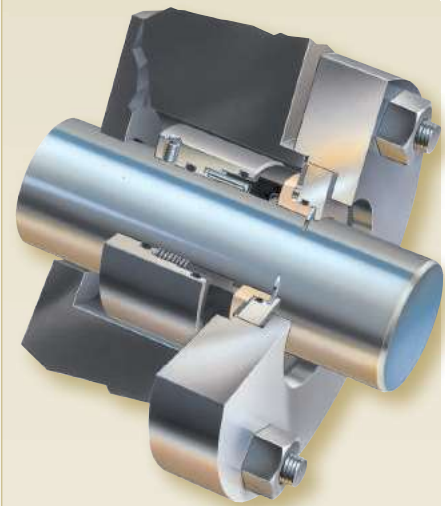
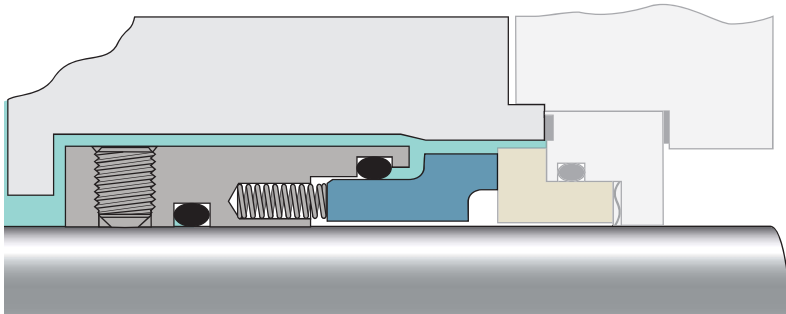
## COMPONENT SEALS

**891™****Rotary Pusher Single Seal**

*Designed for the replacement of low technology component seals, resulting in an overall reliability increase and maintenance efficiency*

The 891 seal design provides an upgrade to standard original equipment component seal installations.

The 891 is designed not to damage or fret the equipment shaft/sleeve because the dynamic O-Ring is positioned on a replaceable component surface. This balanced, high-pressure monolithic seal design will provide a reliable upgrade to standard, unbalanced designs. The seal can be easily rebuilt in the field using low-cost rebuild kits.



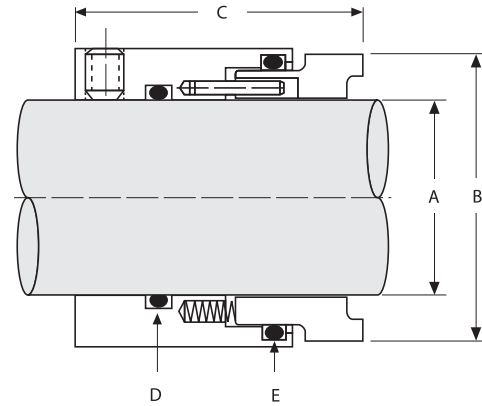
- Monolithic seal faces
- Balanced design
- High-pressure capable
- Non-clog, isolated springs
- Designed not to fret shaft or sleeves
- Dynamic O-Ring is positioned on a replaceable component surface
- Minimized wearing components
- Easy to repair with spare part kits

Operating Conditions		Materials	
Size	16 mm – 200 mm (0.750" – 8.000")	Faces	CB, SSC, RSC, TC
Pressure	711 mm (28") Hg Vacuum – 40 bar g (600 psig)*	Elastomers	FKM, EPDM, FEPM, FFKM
Temperature	-55°C – 300°C (-67°F – 570°F)	Metals	EN 1.4401 (316SS)
Speed	20 m/s (4000 fpm)	Springs	EN 2.4819 (Alloy C-276)

Standards and Approvals: ISO-3069S, ASME B73.1, ASME B73.2

\* Seal pressure capabilities are dependent on the fluid sealed, temperature, speed, and seal face combinations. For operation outside the limits and additional materials consult Chesterton Mechanical Seal Engineering.

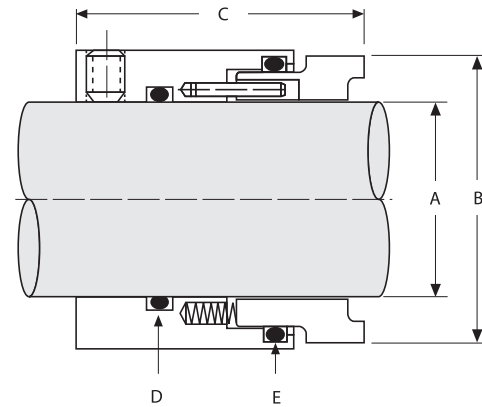
891™ Rotary Pusher Single Seal – Metric



Key					
A – Shaft Size	B – Seal Diameter	C – Operating Length	D – Static O-Ring	E – Dynamic O-Ring	

SHAFT SIZE	A	B	C	D	E	SHAFT SIZE	A	B	C	D	E
16	16.10	30.45	35.00	115	120	85	85.11	107.95	50.80	237	241
18	18.11	32.28	35.00	116	121	90	90.11	114.30	50.80	239	243
20	20.11	34.29	35.00	117	122	95	95.11	117.48	50.80	240	244
22	22.11	36.30	35.00	118	123	100	100.11	123.83	50.80	242	246
24	24.11	38.30	35.00	119	125	110	110.11	133.35	50.80	246	249
25	25.11	39.29	35.00	120	125	120	120.19	152.40	92.07	351	356
28	28.11	42.29	35.00	122	127	125	125.19	158.75	92.07	353	358
30	30.11	44.30	35.00	123	128	130	130.19	165.10	92.07	354	360
32	32.11	46.30	44.45	124	130	135	135.19	171.45	92.07	356	362
33	33.11	47.90	44.45	125	131	140	140.19	171.45	92.07	357	362
35	35.11	49.48	44.45	126	132	145	145.19	177.80	92.07	359	363
38	38.11	54.28	44.45	128	134	150	150.19	184.15	92.07	361	364
40	40.11	56.08	44.45	129	135	155	155.19	190.50	92.07	361	365
43	43.11	59.08	44.45	131	137	160	160.19	196.85	92.07	363	366
45	45.11	61.09	44.45	133	139	165	165.19	196.85	92.07	363	366
48	48.11	64.11	44.45	134	141	170	170.19	203.20	92.07	364	367
50	50.11	66.09	44.45	136	142	175	175.19	209.55	92.07	365	368
55	55.11	71.07	44.45	139	145	180	180.19	215.90	92.07	366	369
60	60.11	77.14	44.45	142	148	185	185.19	215.90	92.07	366	369
65	65.11	83.01	44.45	145	151	190	190.19	222.25	92.07	367	370
70	70.11	86.08	44.45	148	152	195	195.19	228.60	92.07	368	371
75	75.11	98.43	50.80	234	238	200	200.19	234.95	92.07	369	372
80	80.11	104.78	50.80	236	240						

# 891™ Rotary Pusher Single Seal – Inch



Key											
A – Shaft Size		B – Seal Diameter		C – Operating Length		D – Static O-Ring		E – Dynamic O-Ring			

SHAFT SIZE	A	B	C	D	E	SHAFT SIZE	A	B	C	D	E
0.750	0.754	1.323	1.375	116	122	3.625	3.629	4.500	2.000	239	243
0.875	0.879	1.448	1.375	118	124	3.750	3.754	4.625	2.000	240	244
1.000	1.004	1.573	1.375	120	126	3.875	3.879	4.750	2.000	241	245
1.125	1.129	1.698	1.375	122	128	4.000	4.004	4.875	2.000	242	246
1.250	1.254	1.823	1.750	124	130	4.125	4.129	5.000	2.000	243	247
1.375	1.379	1.948	1.750	126	132	4.250	4.254	5.125	2.000	244	248
1.500	1.504	2.143	1.750	128	134	4.375	4.379	5.250	2.000	245	249
1.625	1.629	2.268	1.750	130	136	4.500	4.504	5.375	2.000	246	250
1.750	1.754	2.393	1.750	132	138	4.750	4.758	6.000	3.625	351	356
1.875	1.879	2.518	1.750	134	140	5.000	5.008	6.250	3.625	353	358
2.000	2.004	2.643	1.750	136	142	5.250	5.258	6.500	3.625	355	360
2.125	2.129	2.768	1.750	138	144	5.500	5.508	6.750	3.625	357	362
2.250	2.254	2.893	1.750	140	146	5.750	5.758	7.000	3.625	359	363
2.375	2.379	3.018	1.750	142	148	6.000	6.008	7.250	3.625	361	364
2.500	2.504	3.143	1.750	144	150	6.250	6.258	7.500	3.625	362	365
2.625	2.629	3.268	1.750	146	151	6.500	6.508	7.750	3.625	363	366
2.750	2.754	3.625	2.000	232	236	6.750	6.758	8.000	3.625	364	367
2.875	2.879	3.750	2.000	233	237	7.000	7.008	8.250	3.625	365	368
3.000	3.004	3.875	2.000	234	238	7.250	7.258	8.500	3.625	366	369
3.125	3.129	4.000	2.000	235	239	7.500	7.508	8.750	3.625	367	370
3.250	3.254	4.125	2.000	236	240	7.750	7.758	9.000	3.625	368	371
3.375	3.379	4.250	2.000	237	241	8.000	8.008	9.250	3.625	369	372
3.500	3.504	4.375	2.000	238	242						